

SOLAR PANEL SHALL BE ORIENTATED TO THE SOUTH APPROXIMATELY 30 DEGREES TILT. FIELD DRILL POLE OR USE POLE TOP OPENING FOR WIRE ENTRANCE TO ROUTE TO CABINET.

TWELVE INCH LED AMBER INDICATIONS

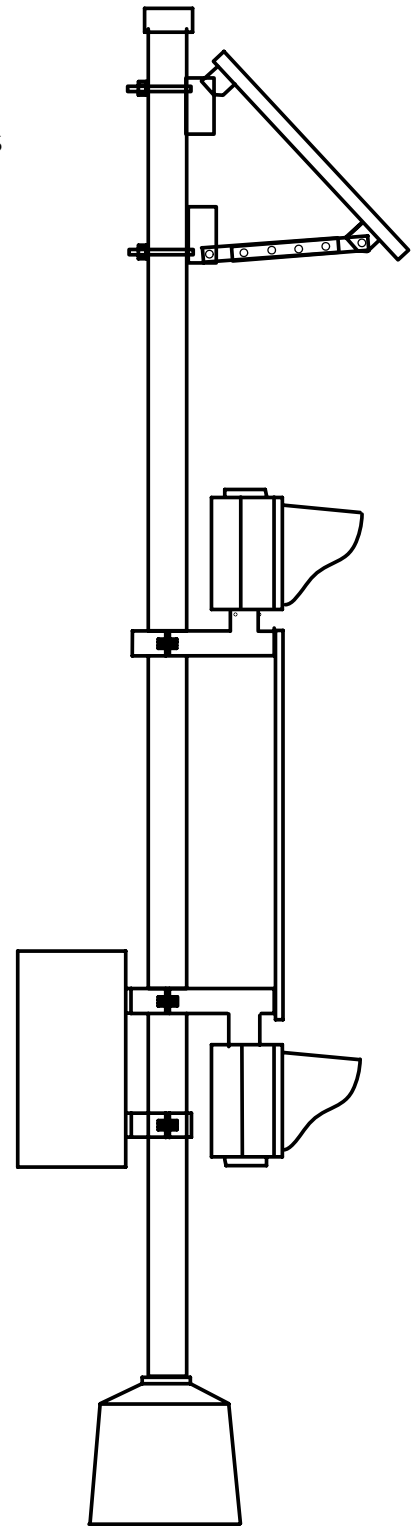
SIGNAL HEAD LOCATION AND ARRANGEMENT AS REQUIRED

STANDARD SCHOOL ZONE SPEED LIMIT SUPPLIED. SPECIFY SPEED LIMIT ON ORDER. ANY REGULATORY LEGEND CAN BE USED AS SPECIFIED BY CUSTOMER.

CABINET FOR SOLAR CONTROLS, BATTERIES, AND FLASHER.

STANDARD FOUR INCH POLE CAN BE PROVIDED IN LENGTHS SEVEN, TEN, AND TWELVE FEET LONG.

STANDARD PEDESTAL BASE FOR TWELVE AND THREE-FORTHS INCH (12-3/4") BOLT CIRCLE.



EQUIPMENT SHOWN POSITIONED RELATIVE TO EACH OTHER. ACTUAL INSTALLATION WILL VARY.

LOCATION OF STRUCTURE SHALL BE EXPOSED TO FULL SUN ALL YEAR FOR SOLAR POWER APPLICATIONS.

<b>SECO - South</b>		
<b>SOLAR POWERED FLASHING INDICATIONS AND WARNING SIGN</b>		
P.O.:	S.O.:	DRAWN BY: JIV
SHEET NO. 1 OF 1	DATE: 11/08/01	DWG. NO.: CAD - 11080101